

E-Lumen X Series Underwater Light

True Color RGB with Warm White and Cool White LED
Synchronize color settings of 2 zones by ColorTouch Control System



 **Emaux**
water technology

Pool & Spa Equipment

NEW

E-Lumen X Series Underwater Light

Synchronize color settings of 2 zones by ColorTouch Control System



e-Lumen X

Waterproof Standard

IP68

Cable

2.5m

Installation

**Concrete Wall Mount / Retrofit
Concrete Niche / Fiberglass / Vinyl Pool**

Installation

Plastic ABS/Stainless Steel/Transparent

Color



RGB



LED Blue



LED
Warm White



LED
Cool White

TRUE COLOR RGB WITH WARM WHITE AND COOL WHITE LED

1. The light incorporates five basic colors of LED chips: cool white, warm white, red-green-blue (RGB), with high power and constant color rendering over time and temperature.
2. Equipped with state-of-the-art LED technology, E-Lumen X ensures increased energy and luminous efficacy achieving 80 lumens per watt.
3. Bulb life exceeds 40,000 hours.
4. The innovative design of the diffusion lens and bulb matrix provides exceptional reflection, brightness, throw, and angle of illumination.
5. The perforations on the face ring contribute to the light intensity and angle of illumination by allowing a light penetration throughout.
6. Self determined operation mode with or without Color-Touch controller.
7. Automatic color synchronization among lights and zone.

E-Lumen X- "Quartz" Series

For all types of pools



Emaux iconic wall-mounted high power LED light

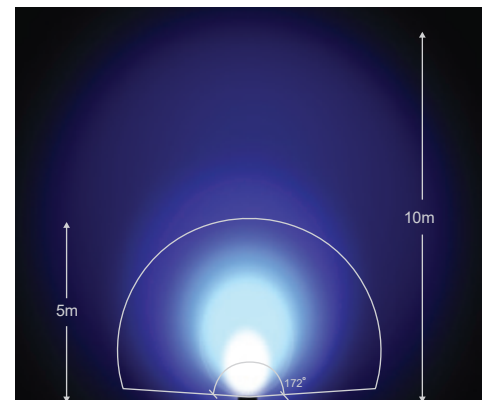
QUARTZ wall-mounted light offers a perfect solution for any pool installations. Its easy mounting kit enables instant installations of new build pools or retro-fit. The retro-fit version is designed to adapt your existing wiring and power and upgrade your pool with fabulous lighting effects under high energy efficiency.

Product Dimensions and Technical Information

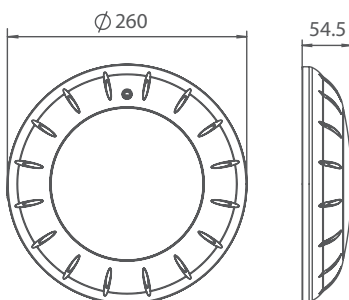
Code	Description	Face Ring
9042601	Quartz Light 12~32V AC 50/60Hz	White
9042602	Quartz Light 12~32V AC 50/60Hz	Grey
9042603	Quartz Light 12~32V AC 50/60Hz	Blue
9042604	Quartz Light 12~32V AC 50/60Hz	Stainless Steel
9042605	Quartz Light 12~32V AC 50/60Hz	Transparent

Pool Light Protection Rating : IP68 to 2m depth
Power Consumption :25W

Color	Operation Voltage	illuminance (Lux)	Color Temperature
Cool White	12~32V AC 50/60Hz	350	6500K
Warm White	12~32V AC 50/60Hz	325	3000K



Angle and distance of illumination



Face Ring Color Options

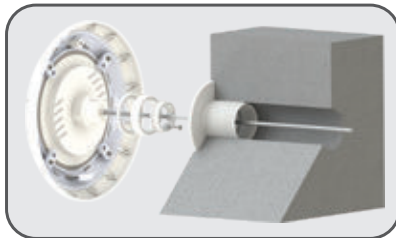


E-Lumen X- “Quartz (EM)” Series

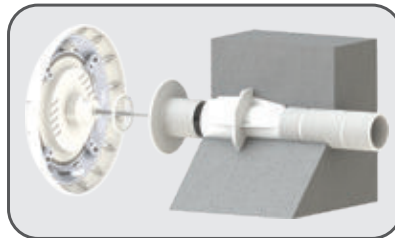
For installation with inlet nozzles

High adaptable wall-conduit pool light

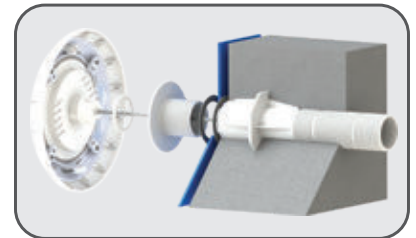
The Quartz (EM) lights has the same advanced features as E-Lumen X. The inlet nozzle screw-in design for wall conduit and fitting is adaptable for different pool installation options.



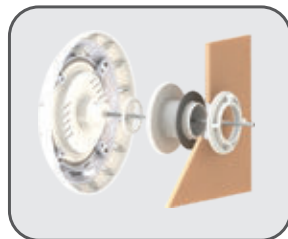
Concrete Pool



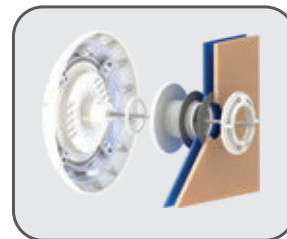
Concrete Pool with Conduit



Concrete Pool+Liner



Vinyl Pool Fiberglass Pool



Panel Pool Timber Pool

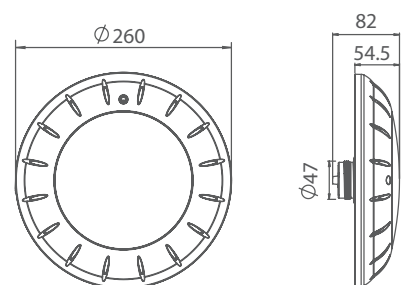
Wall conduct and fitting accessory for pool type:

Concrete Pool with 1.5" PVC Pipe	Concrete Pool with Conduit	Concrete pool with Liner	Vinyl / Fiberglass	Panel / Timber
EM2831	EM2831	EM2831	EM2836	EM2836
	EM2841	EM2841		
	EM2842	EM2842		

Product Dimensions and Technical Information

Code	Description	Face Ring
9042606	Quartz (EM) Light 12-32V AC 50/60Hz	White
9042607	Quartz (EM) Light 12-32V AC 50/60Hz	Grey
9042608	Quartz (EM) Light 12-32V AC 50/60Hz	Blue
9042609	Quartz (EM) Light 12-32V AC 50/60Hz	Stainless Steel
9042610	Quartz (EM) Light 12-32V AC 50/60Hz	Transparent

Dimensions(mm):



E-Lumen X- “Zircon” Series

For concrete pool with niche or fiberglass pool installation

High illumination compact pool light

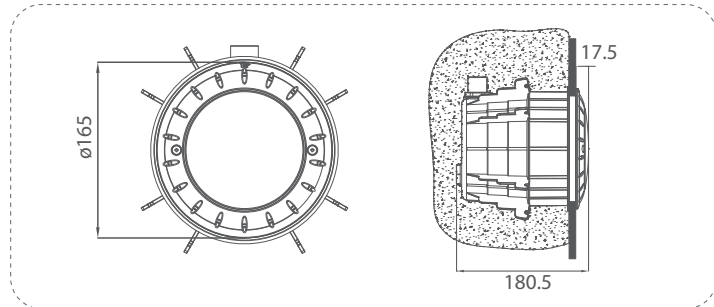
ZIRCON is a powerful 25W LED light engineered for concrete and fiberglass pools. The niche or the locknut design provides ease and flexibility enabling a quality installation.



Concrete Pool Niche



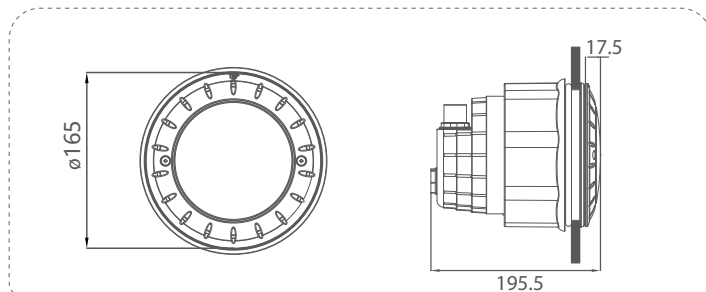
ZIR25-C



Fiberglass Pool Nut



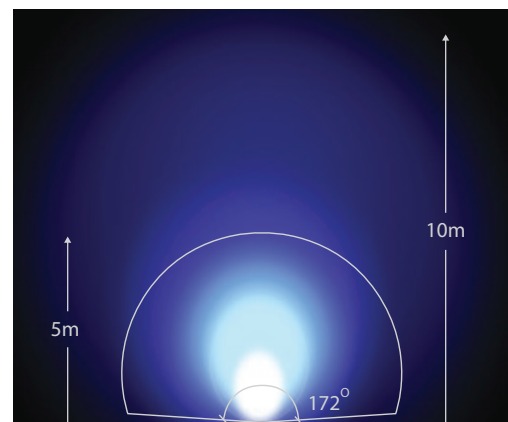
ZIR25-V



Product Information

Zircon Light 12Vac 50/60Hz, Power cord length with retrofit connector: 2.5m

Code	Model	Maximum Power	illuminance (Lux)	Color Temperature
9042801	ZIR25-C	25W	325 (Warm White)	3000K
9042802	ZIR25-V	25W	350 (Cool White)	6500K



Angle and distance of illumination

E-Lumen X- "Topaz" Series

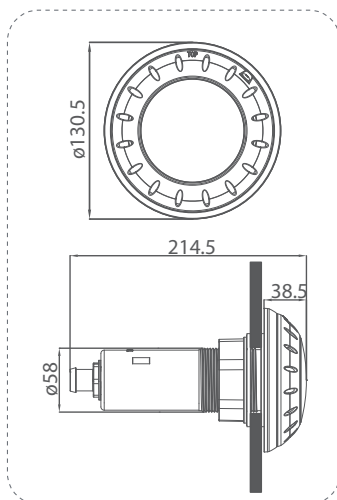
For concrete pools with niche, fiberglass pools, and vinyl liner pools installations

Slim fit LED light for multi-installation

TOPAZ is a compact and powerful 13W LED light. Its slim construction and multi-installation mechanisms allow it to be fitted into pools and spas of any dimensions, providing a superb lighting effect.

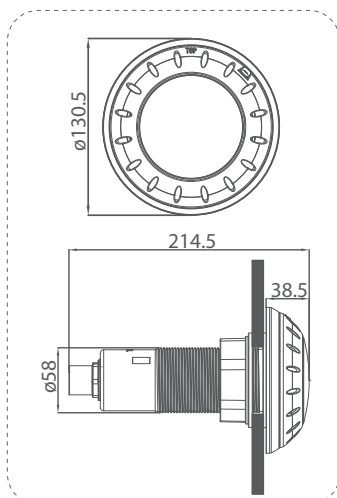


Vinyl Pool



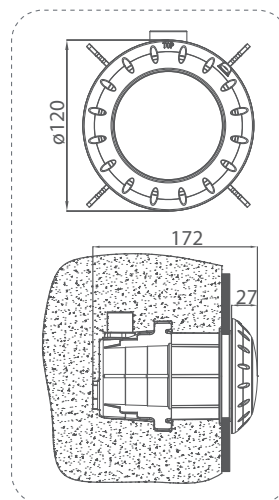
TOP13-VS

Fiberglass Pool



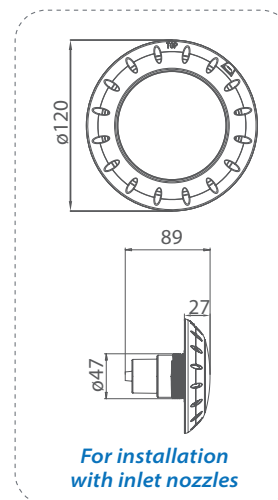
TOP13-VL

Concrete Pool



TOP13-C

Concrete Pool



For installation with inlet nozzles

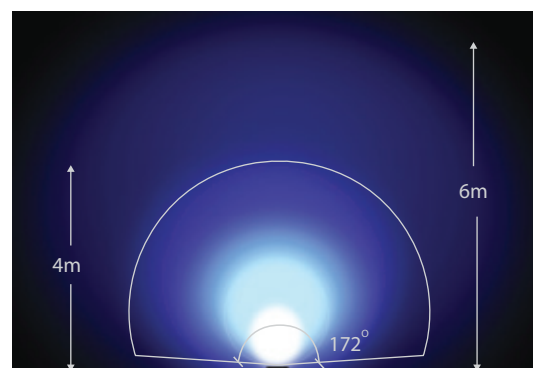


TOP13-EM

Product Information

TOPAZ light 12Vac 50/60Hz, Power cord length with retrofit connector: 2.5m

Code	Model	Maximum Power	illuminance (Lux)	Color Temperature
9042701	TOP13-C	13W	220 (Warm White)	3000K
9042702	TOP13-VL	13W	200 (Cool White)	6500K
9042703	TOP13-VS	13W		
9042704	TOP13-EM	13W		



Angle and distance of illumination

ColorTouch Light Control Box

For E-Lumen X Series Underwater Lights



Features

1. ColorTouch control box not only supports all E-Lumen X series lamp with direct color change and brightness adjustment, but also supports E-lumen ON/OFF switch type for changing lamp color.
2. Provides direct light color change and two zones synchronized color control.
3. By using the existing two-core wires and 12Vac power system. ColorTouch becomes an ideal choice for most pool retrofit and refurbishment projects.
4. The hand-held remote-control operates up to a distance of 50m in open areas.
5. One-touch 7 individual colors, auto-color changing, and 3-level brightness dimmer selections by using the remote-controller which features a compact, user-friendly design and is water resistant.
6. Waterproof Standard IP44.
7. The WI-FI enable version provide WIFI APPs control of all function as remote handset over mobile phone.
8. Easy to use - Connect WI-FI, open APPs and play without setting.
9. Current color mode display on mobile phone.
10. WIFI Light sensor auto power on under development.

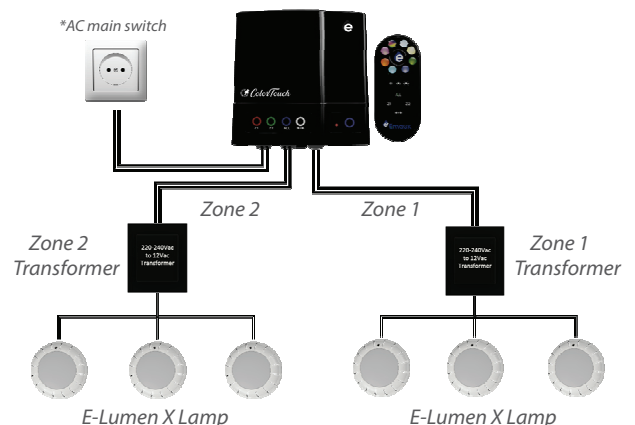


ColorTouch System controls color changes of two pools at the same time

Code	Description
9110904	ColorTouch Control Box Wi-Fi with Touch Remote Control 110-220V AC 2*300W 50/60Hz

Synchronize color settings of 2 zones by ColorTouch Control System

1. ColorTouch control system can control different modes of lighting in two separate zones at the same time.
2. Each zone can support pool light fixtures with maximum voltage of 300VA.
3. Simple one-touch button can instantly synchronize both zones.



EMAUX WATER TECHNOLOGY CO., LTD

ADDRESS: Flat A-D, 20/F., Kai Bo 22, 22 Wing Kin Road,
Kwai Chung, HK

PHONE +852 2832 9880

www.emauxgroup.com

● YOUR PREMIER SUPPLIER

Available from:

ALL SPECIFICATIONS ARE SUBJECT TO CHANGE WITHOUT NOTICE.
© 2021 EMAUX WATER TECHNOLOGY CO., LTD. ALL RIGHTS RESERVED.

www.emauxgroup.com