

NEW

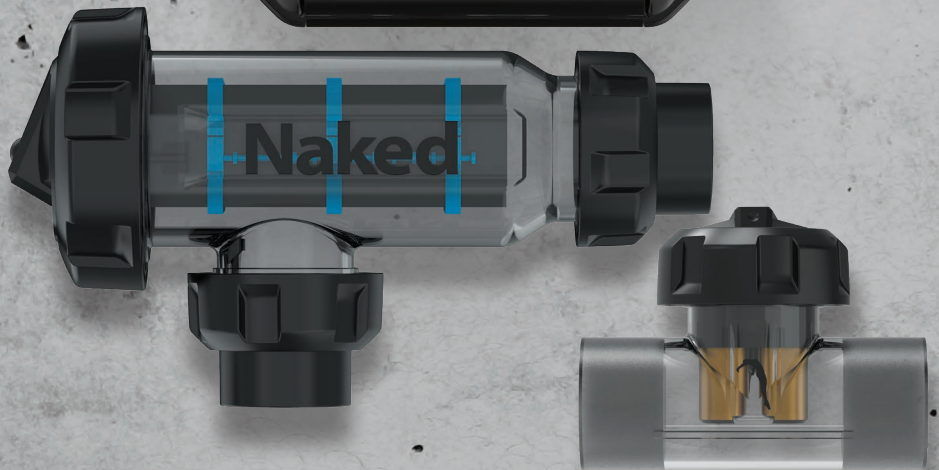
Enjoy the big benefits
of freshwater, in a MINI.



NKD-M

Introducing the MINI, our all-new NKD-M freshwater system for small pools and swim spas.

Enjoy all the benefits of Australia's favourite and most awarded freshwater pool system, tailored for pools and swim spas up to 30,000 litres.



The big benefits of freshwater in a MINI

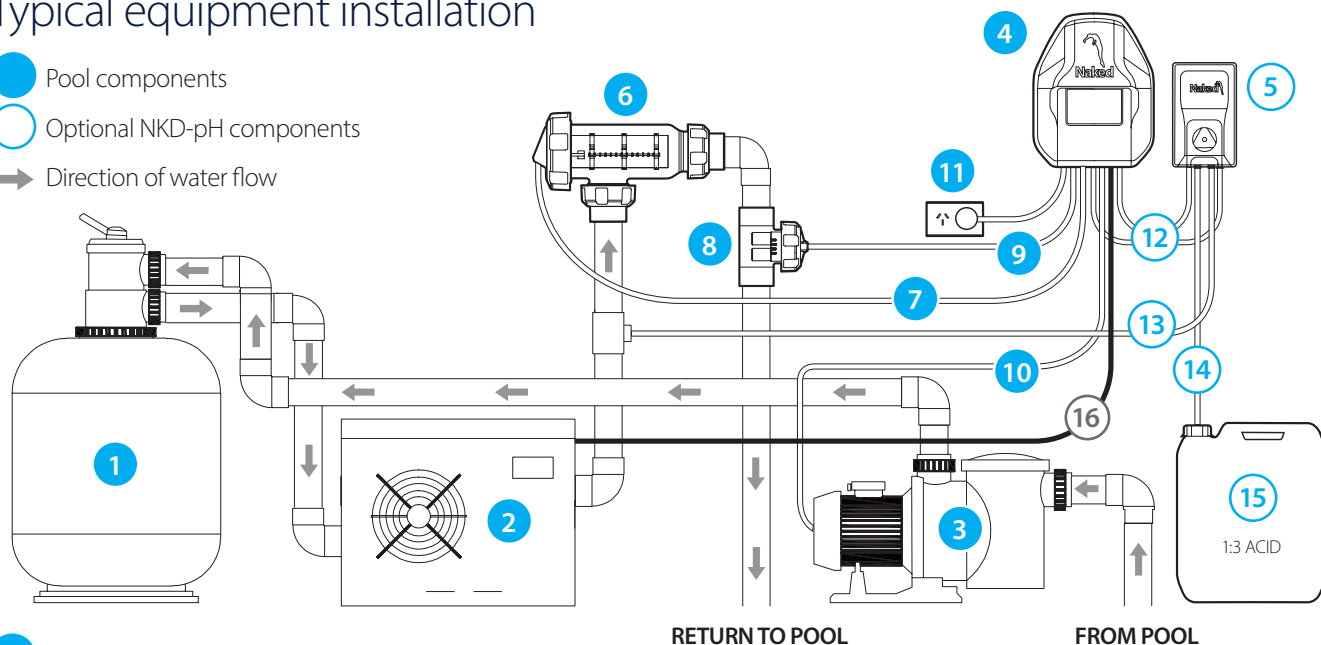
Built upon the success of the award-winning NKD-R Freshwater System, The NKD-M is specifically designed to meet the needs of smaller pools, such as plunge pools and swim spas.

The NKD-M leverages the same advanced oxidation and ionisation technologies that have made the NKD-R system a favourite among pool owners. By utilising natural minerals like

copper and silver, the NKD-M provides a refreshing swimming experience that is gentle on the skin and environmentally friendly. This technology not only ensures crystal clear water but also significantly reduces the need for harsh chemicals, making it an ideal choice for those with sensitive skin or allergies.

Typical equipment installation

- Pool components
- Optional NKD-pH components
- ➔ Direction of water flow



- 1 Filter
- 2 Heater
- 3 Pump
- 4 Control Unit
- 5 pH Controller
- 6 OXI Cell Housing
- 7 OXI Cable
- 8 ION Housing
- 9 ION Cable
- 10 Pump mains power cable
- 11 Control Unit mains power cable
- 12 pH Data Cable
- 13 Clear PVC Flexible Tube and Injection Tee
- 14 Clear PVC Flexible Tube
- 15 Acid Drum with weighted Suction Valve
- 16 Heat Pump Interface Cable

SPECIFICATIONS	
Volts Input (Vac)	220-265
Amps Input (Aac)	0.4
Total Power Consumption (W)	93
OXI Volts Output (Vdc)	10.3
OXI Amps Output (Adc)	5
Chlorine (g/hr)	10 @ 800ppm TDS
Frequency (Hz)	50/60
Pump Outlet Rating (Aac)	9.4
Control Unit Dimensions (mm)	204W × 286H × 105D
Cell Housing Dimensions (mm)	356L × 145D × 203H
Ioniser Housing Dimensions (mm)	158L × 100D × 138H
Cell Design	9 Plate 140 × 60mm
Water Connection	40/50 mm
Water Flow Rate (L/min)	80 - 550
IP Rating	23
Unit Shipping Dimensions (mm)	452L × 430W × 206H
Net Weight (kg)	9.5

All measurements conducted at 26 degrees celcius water temperature and ideal TDS

